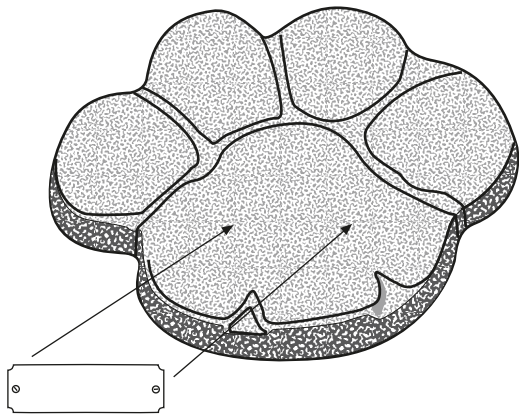


Pet Memorial Marker and Urn

Instructions

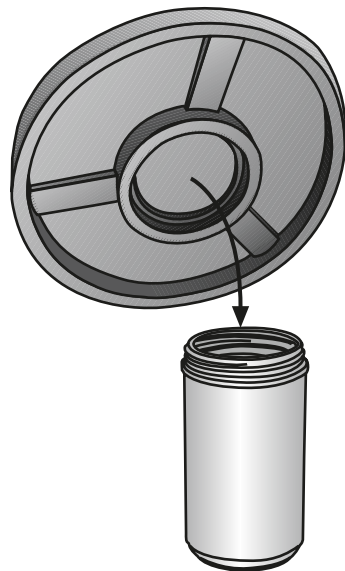
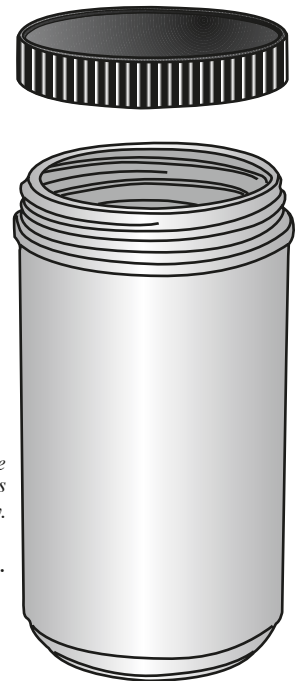


1. If desired, the Brass Plaque can be engraved at your local retailer or gift store
2. Position the Plaque as desired and mark the screw holes with a fine point marker. Use an #32 drill bit to create pilot holes for the screws. Attach the Brass Plaque with provided screws.

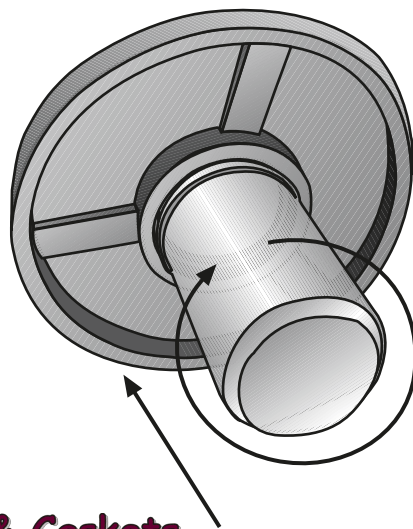
Skip the first two steps if you are not using the Brass Plaque

Note: Remove and discard the Burial Urn's lid before burial. The lid is for transportation purposes only.

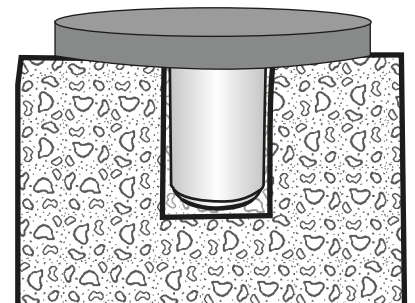
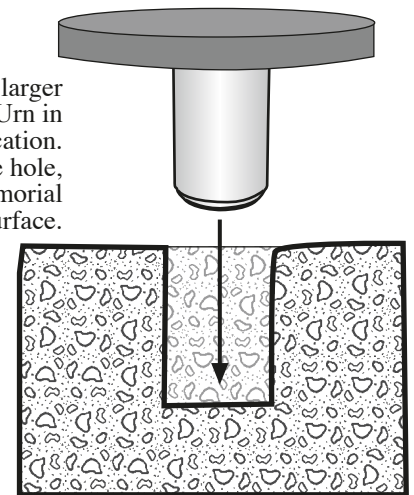
3. Place your pet's ashes into the urn.



4. Keeping the Urn upright and level, line up the top of the urn and the center threads of the Memorial Stone. Screw the urn into the bottom of the Memorial Stone until tight.



5. Dig a hole slightly larger than the Memorial Urn in desired location. Set assembled Urn into the hole, with the Memorial stone resting on the surface.



Family Pet Urns & Caskets

Pet Urns & Caskets for a Beautiful & Lasting Tribute



P.O. Box 95
Rapid River, MI 49878
1-800-931-URNS (8767)
Email: sales@familypeturnsandcaskets.com
Website: <http://www.familypeturnsandcaskets.com>

